



Fastener
Solutions

Tag Fast™ Fasteners Marketing Specifications

For the following part numbers:

08390-1

08391-1

08392-1

08393-1

11243-0

11244-0

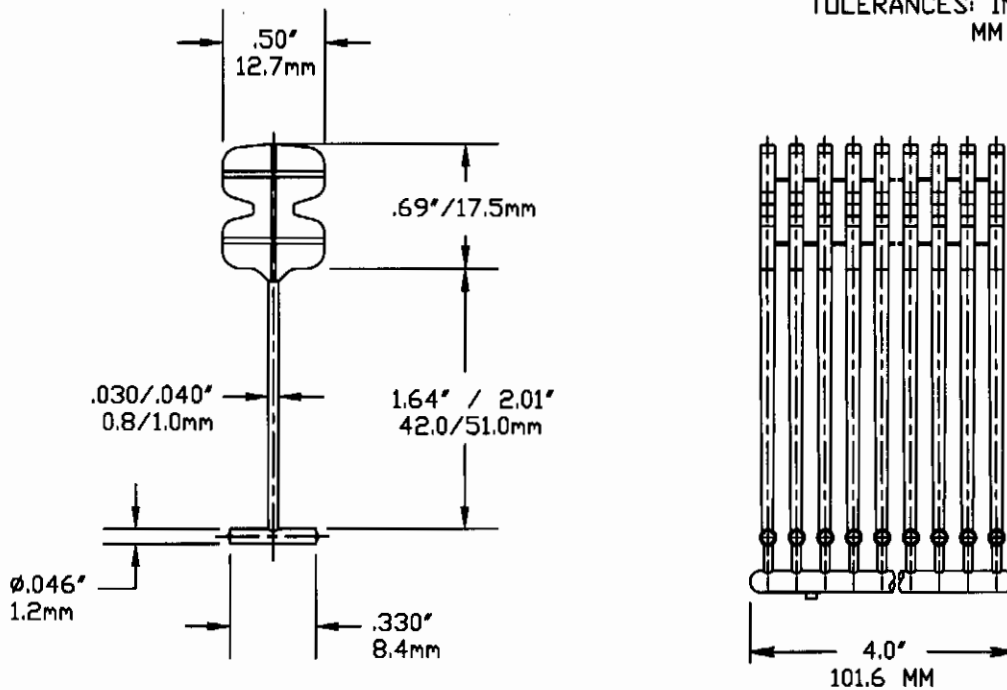
11245-0

11246-0

October 28, 2019

AVERY DENNISON MARKETING SPECIFICATION

TOLERANCES: IN. = ± .030 in
MM = ± 0.7 mm



NOT TO SCALE

MINIMUM TENSILE STRENGTH:	10 LBSF. (4.5 KG)
MATERIAL:	NYLON TYPE 66 - FDA GRADE (SEE BELOW)
CLIP QUANTITY:	50
APPLICATION TOOL:	08958-2 STANDARD PISTOL-GRIP MARK III HAND TOOL
PACKAGED IN:	1000/BAG, 50,000/CASE
PADDLE CONNECTORS:	YES

ALL MATERIALS IN THESE FASTENERS COMPLY WITH FDA REGULATION 21CFR SECTIONS 175, 177, 178.

STK. NO	DESCRIPTION
08390-1	BLUE
08391-1	YELLOW
08392-1	ORANGE
08393-1	GREEN



AVERY DENNISON

FASTENER DIVISION
FITCHBURG, MA 01420 U.S.A.
TEL 1-800-225-5913
MA. 978-353-8157

DESCRIPTION:

TAGFAST, SWIFTACH®

APPROVAL:

Edel 8-19-08

STOCK NO.

SEE TABLE

REV

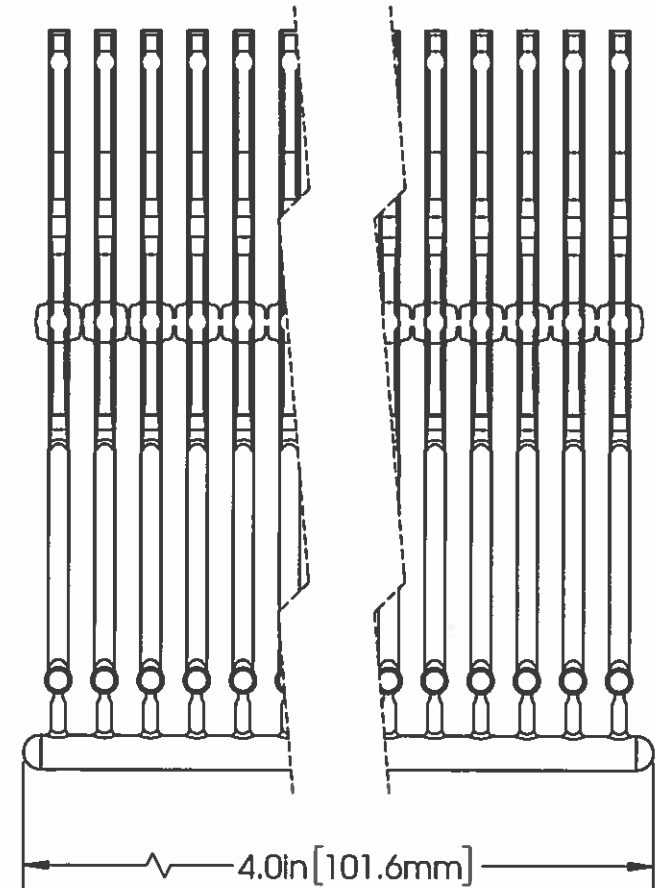
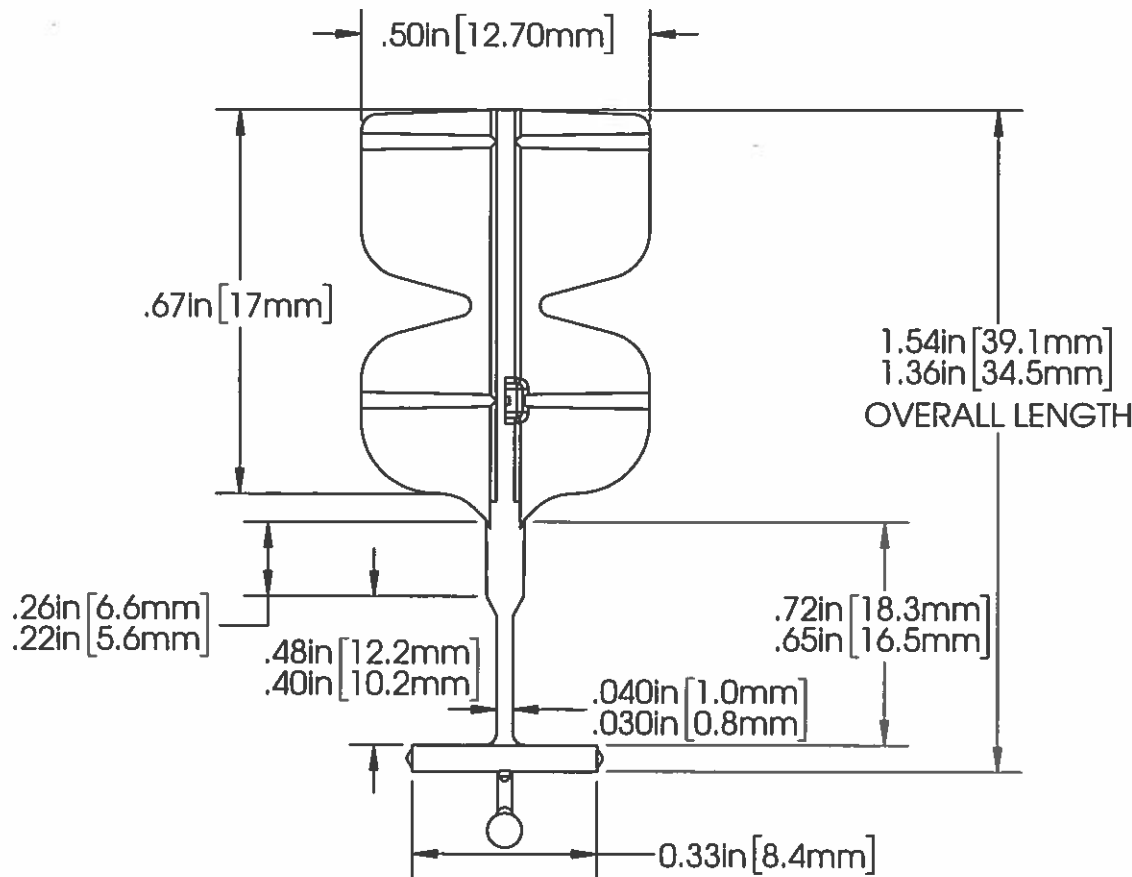
H

AVERY DENNISON MARKETING SPECIFICATION

HISTORY

REV.	DATE	DESCRIPTION
A	3/23/16	RELEASE

THE SUBJECT MATTER DISCLOSED HEREIN EMBODIES PROPRIETARY INFORMATION WHICH IS THE CONFIDENTIAL PROPERTY OF THE AVERY DENNISON CO. NONE OF WHICH SHALL BE COPIED, REPRODUCED, DISCLOSED TO OTHERS, PUBLISHED OR USED IN WHOLE OR IN PART FOR ANY PURPOSE OTHER THAN THAT FOR WHICH IT IS BEING MADE AVAILABLE WITHOUT THE EXPRESS ADVANCE WRITTEN PERMISSION OF A DULY AUTHORIZED AGENT OF THE COMPANY. THIS DOCUMENT IS THE PROPERTY OF THE AVERY DENNISON CO. AND IS TO BE RETURNED TO THE COMPANY ON DEMAND.



STK. NO.	DESCRIPTION
11243-0	GREEN
11244-0	BLUE
11245-0	YELLOW
11246-0	ORANGE

ALL MATERIALS IN THESE FASTENERS COMPLY WITH FDA REGULATION 21CFR SECTIONS 175, 177, 178

NOT TO SCALE

WEIGHT:	0.358 LB/THOUSAND	APPROVALS:	ENG. APPR.	<i>[Signature]</i> 5/14/2016	AVERY DENNISON <small>FASTENER DIVISION FITCHBURG, MA 01420 U.S.A. TEL. 1-800-225-5913 FAX. 978-353-8157</small>
MAX. TENSILE STRENGTH:	10 LBF. (44.5 N)		Q.A. APPR.	<i>[Signature]</i> 05/04/2016	
CLIP QUANTITY:	50	SPECIFIED TOLERANCES ARE:	MATERIAL	DESCRIPTION	
PADDLE CONNECTORS:	YES		.XX ± .030 INCHES .X ± .7 MM	NYLON 6/6	TAGFAST-II, SWIFTACH®
TOOL:	08958-2 STANDARD PISTOL-GRIP MARK III HAND TOOL	.XXX .XX	COLOR	STOCK NO.	REV.
PACKAGING:	1000/BAG, 50000/CASE	ANGULAR: ± .5°	SEE TABLE	SEE TABLE	A